
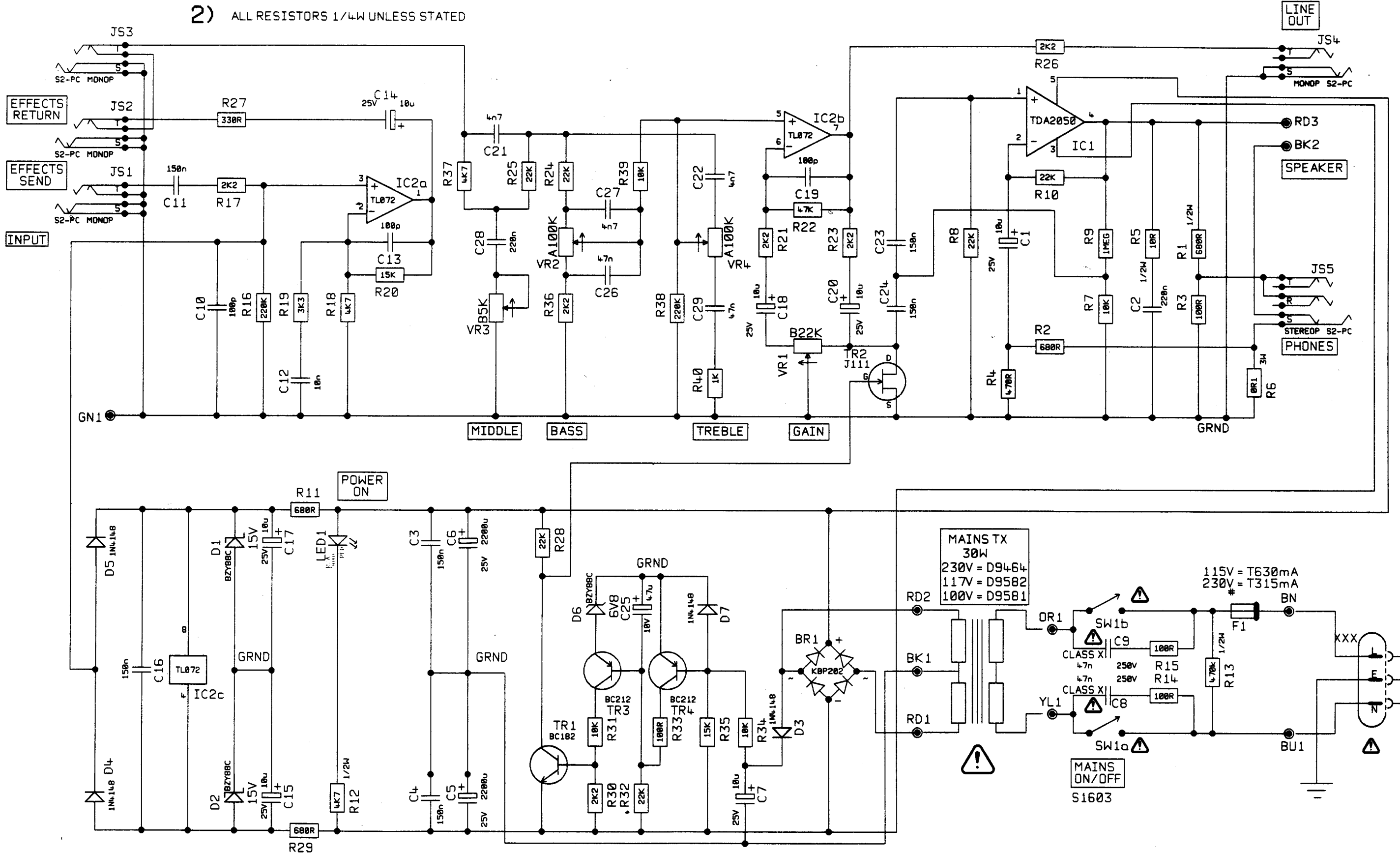


DRG No. BS30-60-01

NOTES:-

- 1)  = SAFETY CRITICAL COMPONENTS (COMPONENTS MUST BE REPLACED WITH SAME TYPE AND RATING ONLY)
- 2) ALL RESISTORS 1/4W UNLESS STATED



ISS		ECO NUMBER		DATE		A		B		C		D		E		F		G		H	
1		PRODUCTION		18/10/95		C		G		L		Q		R		MATERIAL		DIMENSIONS IN		TITLE	
2		1217		17/7/96		A		E		J		N		P		MATERIAL THICKNESS		TOLERANCE (UNLESS OTHERWISE STATED)		BASS 30	
1		18/10/95		C		G		L		Q		R		P		DRAWN B.KEIR		DATE 21.02.95		DWG.No BS30-60-01	
1		18/10/95		C		G		L		Q		R		P		CHECKED Pw		DATE 24 7 96		ISS 2	
1		18/10/95		C		G		L		Q		R		P		APPROVED		DATE		MODE B30	



TITLE BASS 30
 DWG.No BS30-60-01
 ISS 2